

Programmes After Market Services NHE-8/9 Series Transceivers

Service Tools

CONTENTS

	Page No
Service Box JBU-4	3
MBUS Cable DAU-4S	3
PC/MBUS Adapter DAU-2T	4
D9/D25 RS-232 Adapter	5
Service Cable Assy. SCS-4D	5
Audio Cable ADS-1	6
Power Connector PCS-1	7
Module Jig JBS-18	7
SW Security Device "Dongle" PKD-1	8
Flash Prommer FPS-4	9
Light Flash Prommer FPS-6	9
Flash Interface Box FLA-6	10
System Cable SCH-3	11

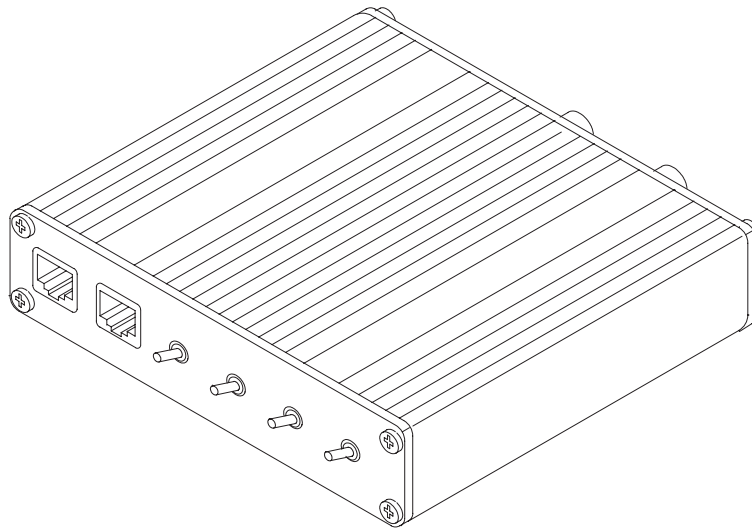
Service Box JBU-4

Service box provides convenient test environment (regulated power supply, M2BUS, preset battery reference voltage, external RF connection; not used in NHE-5/NHK-5, audio test loops) in one box.

Product Code

Service Box JBU-4: 0770041

View of JBU-4



G0770041

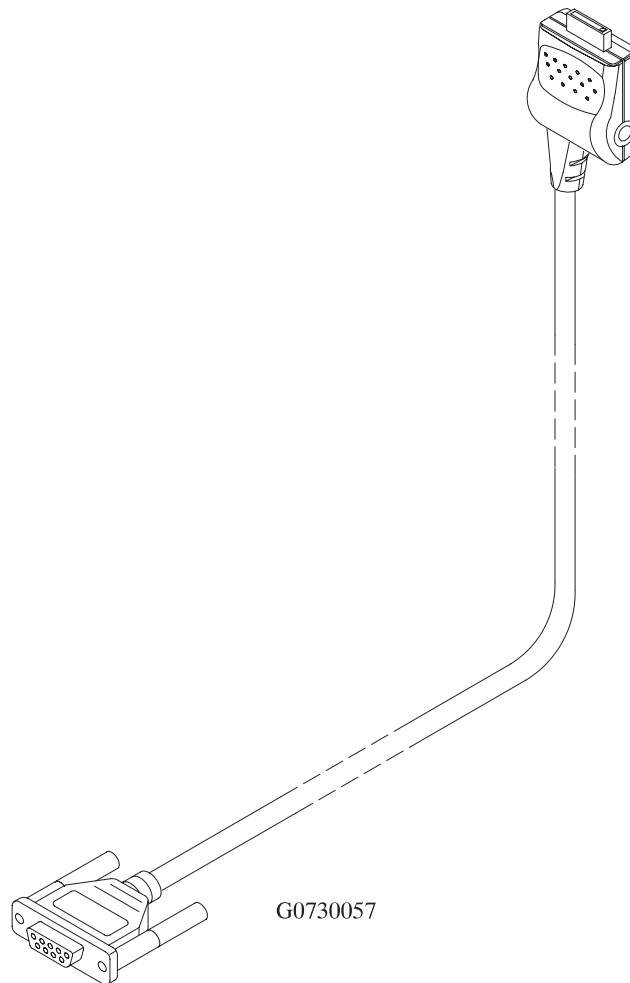
MBUS Cable DAU-4S

DAU-4S is connected between the phone and the serial (COM) port of the PC. It matches the MBUS data bus signals to the serial data bus of the computer.

Product code

MBUS Cable DAU-4S: 0730057

View of DAU-4S



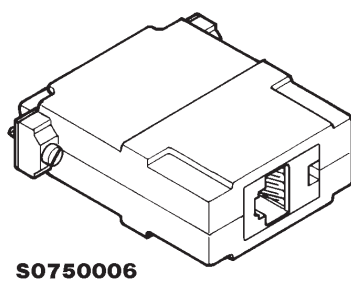
PC/MBUS Adapter DAU-2T

DAU-2T can be used instead of DAU-4S as RS232 to MBUS converter.

Product Code

PC/MBUS Adapter DAU-2T: 0750006

View of DAU-2T



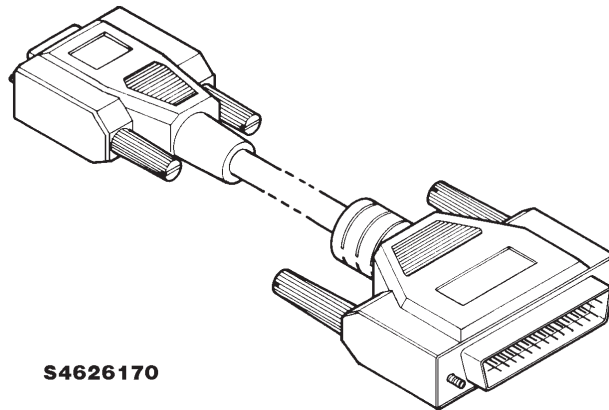
D9/D25 RS-232 Adapter

Suitable adapter between DAU-2T and computers having 9 pin D connector as a serial port.

Product Code

D9/D25 RS-232 Adapter: 4626170

View of Adapter



Service Cable Assy. SCS-4D

Service cable Assy. SCS-4D contains two submodules:

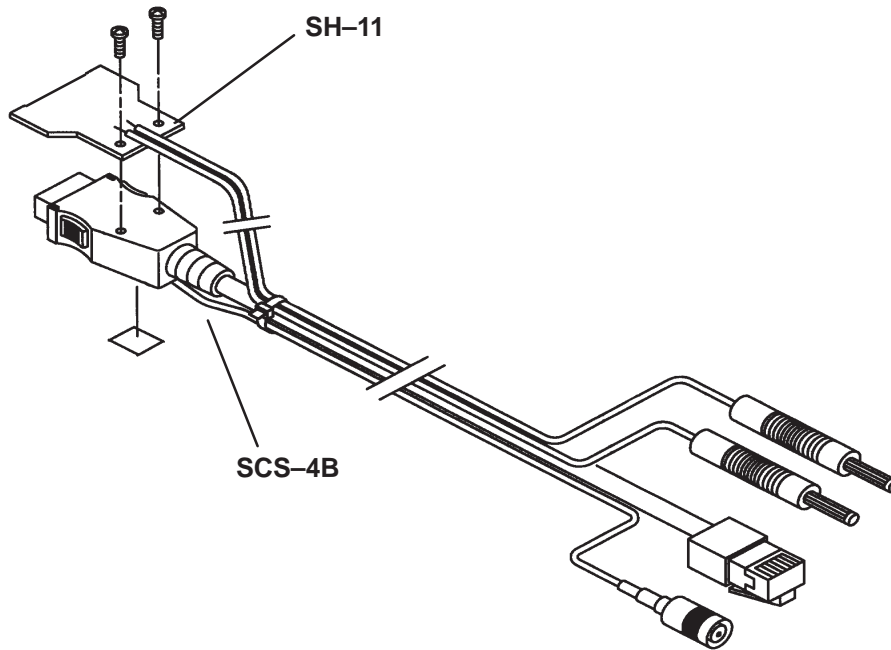
- SCS-4B Service cable
- SH-11 Battery connection module

The SCS-4D contains a switch which will make it possible to shift between testmode and the dummy battery mode at the BTEMP terminal.

Product code

Service Cable Assy SCS-4D: 0730116

View of SCS-4D



Audio Cable ADS-1

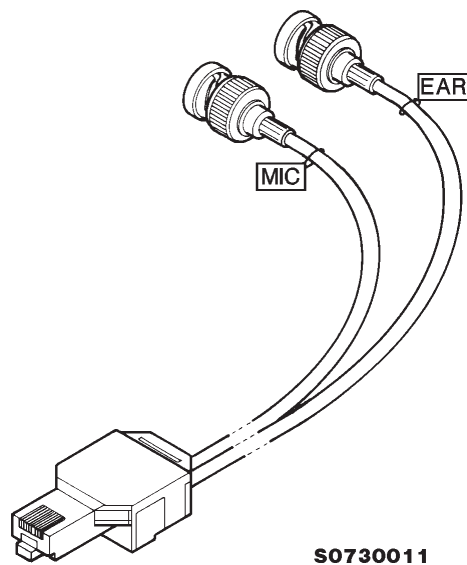
Audio cable is an adapter routing AF signals (MIC/EAR) from 8 pin modular connector to two BNC connectors.

Product code

Audio Cable ADS-1:

0730011

View of ADS-1



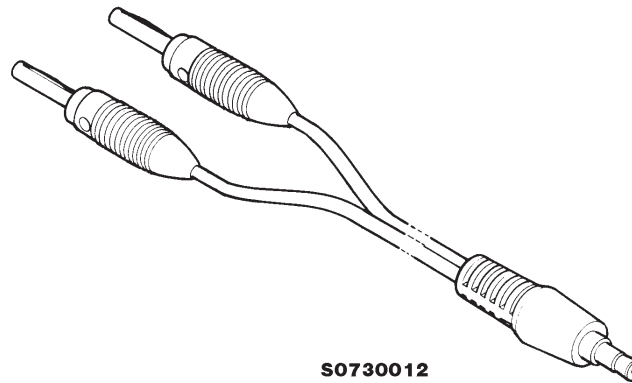
Power Connector PCS-1

Suitable adapter between JBU-4 and the power supply.

Product code

Power Connector PCS-1: 0730012

View of PCS-1



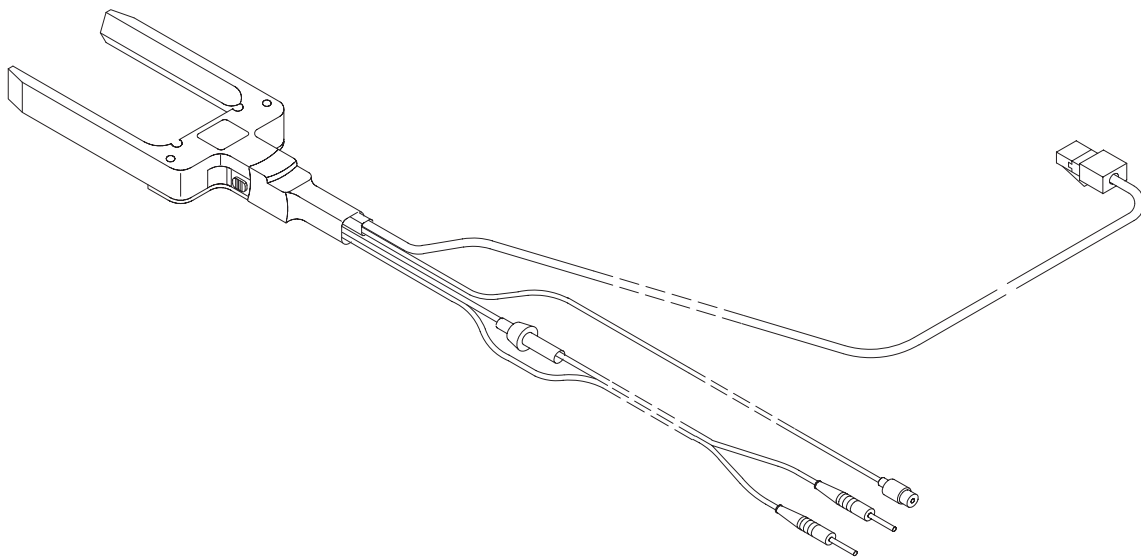
Module Jig JBS-18

The module jig is for service use. Component level service operations and measurements to open PCB board can be done through that frame.

Product code

Test Module Jig JBS-18: 0770070

View of Module Jig



SW Security Device "Dongle" PKD-1

SW security device "Dongle" is a piece of hardware enabling the use of the service software when connected to the parallel (LPT) port of the PC. Without the dongle present it is not possible to use the service software. Printer or any such device can be connected to the PC through the dongle if needed.

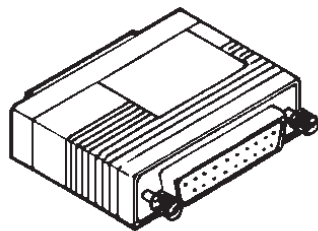
Caution: Make sure that you have switched off the PC and the printer before making connections!

Caution: Do not connect the PKD-1 to the serial port. You may damage your PKD-1!

Product Code

SW Security Device PKD-1: 0750018

View of SW Security Device



G0750018

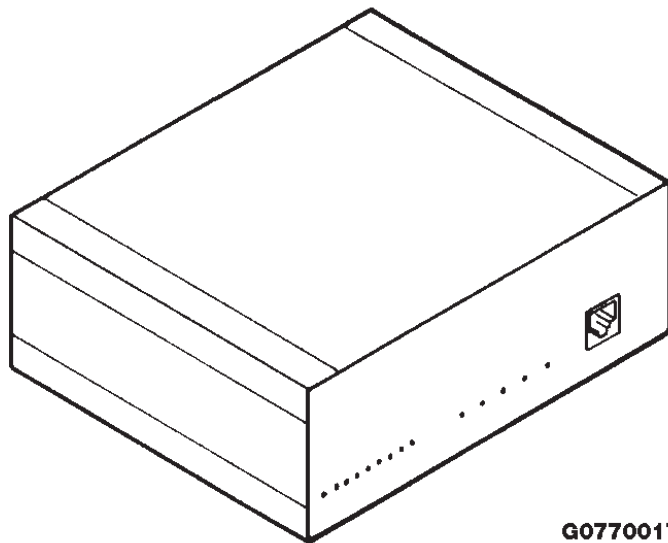
Flash Prommer FPS-4

Flash prommer is used to update the main software of the phone, should that some day become necessary. Updating is done by first loading the new MCU software from PC to the FLASH prommer and then loading the new SW from prommer to the phone. When updating more than one phone in a row, the new MCU SW must be loaded to the prommer only in the beginning.

Product Code

Flash Prommer FPS-4: 0750090

View of FPS-4



G0770017

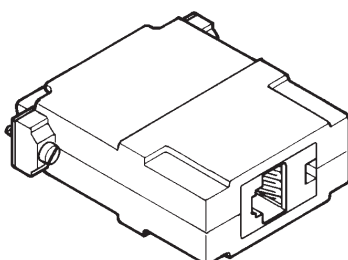
Light Flash Prommer FPS-6

Light flash prommer can also used to update main software of the phone. Main benefit of this product is that programming can be made by using basic service software so additional flash programming software is not needed. Light flash prommer is also much cheaper than flash prommer FPS-4, but other hand, it is slower.

Product Code (Available later)

Light Flash Prommer FPS-6: 0770043

View of FPS-6



S0750006

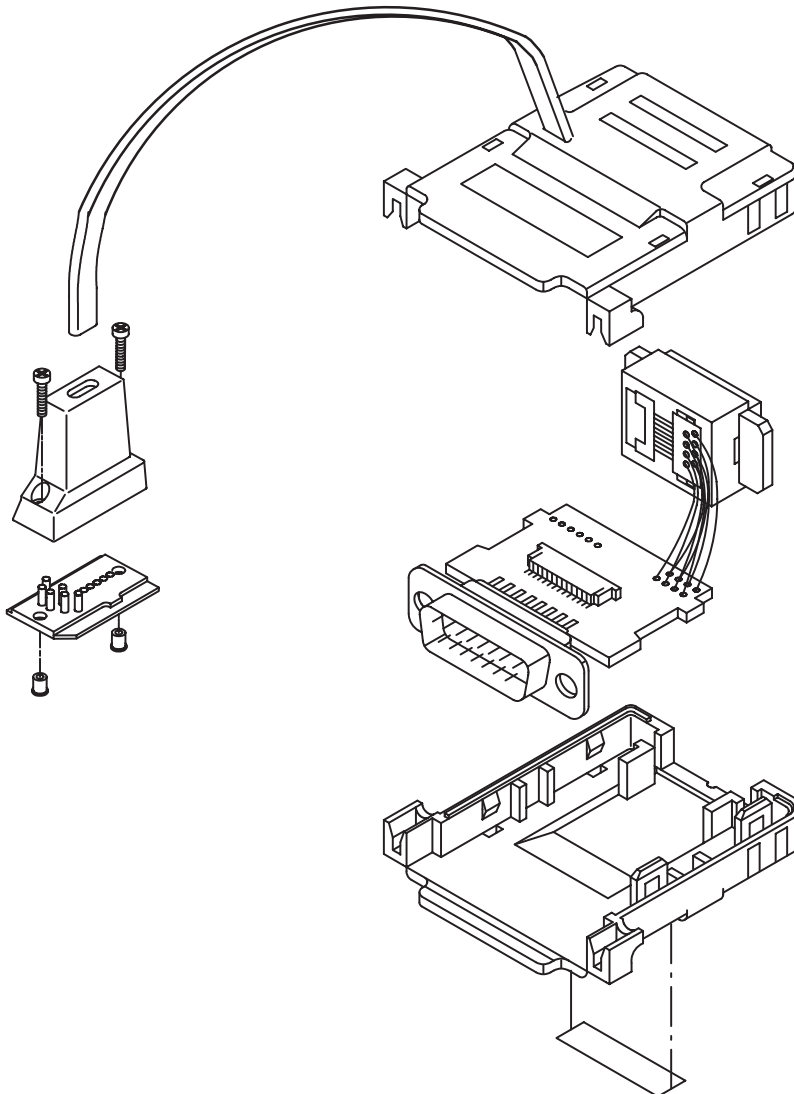
Flash Interface Box FLA-6

Flash Prommer FPS-4 is used as normal but a new phone interface has been developed. This consists of a modified FLA-2 buffer and a programming pad interfacing SIM card which can be locked to the phone B-cover with the sliding SIM locking mechanism. The unit is basically a FLA-2 extended via the X3 connector to the programming pads of either HD844 or HD843 phone. The programming can only be accomplished by attaching an external power supply using either SCS-4B or SCS-4D.

Product Code

Flash Loading Adapter FLA-6: 0630125

View of FLA-6



System Cable SCH-3

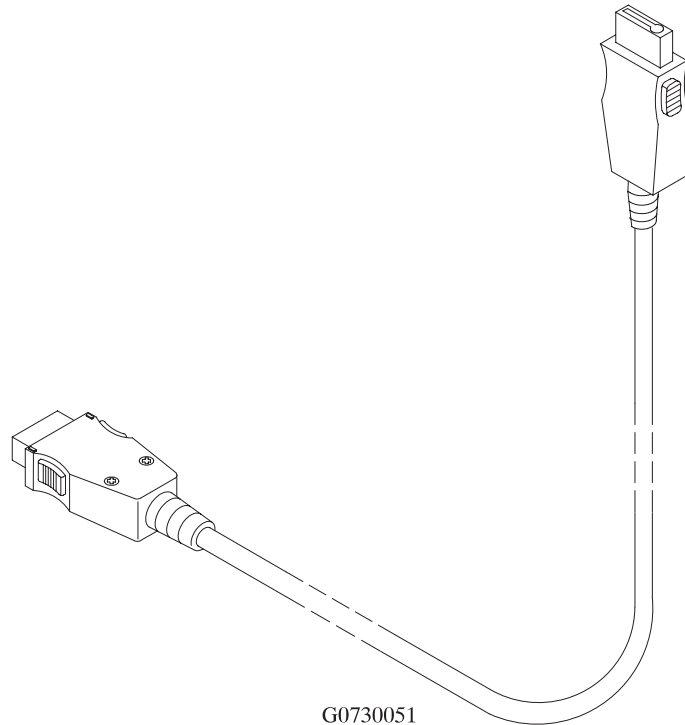
System cable SCH-3 is a cable between two phones. SCH-3 provides transferring data (stored phone numbers etc.) from one phone to another.

Product Code

System Cable SCH-3:

0730051

View of SCH-3



This page intentionally left blank.